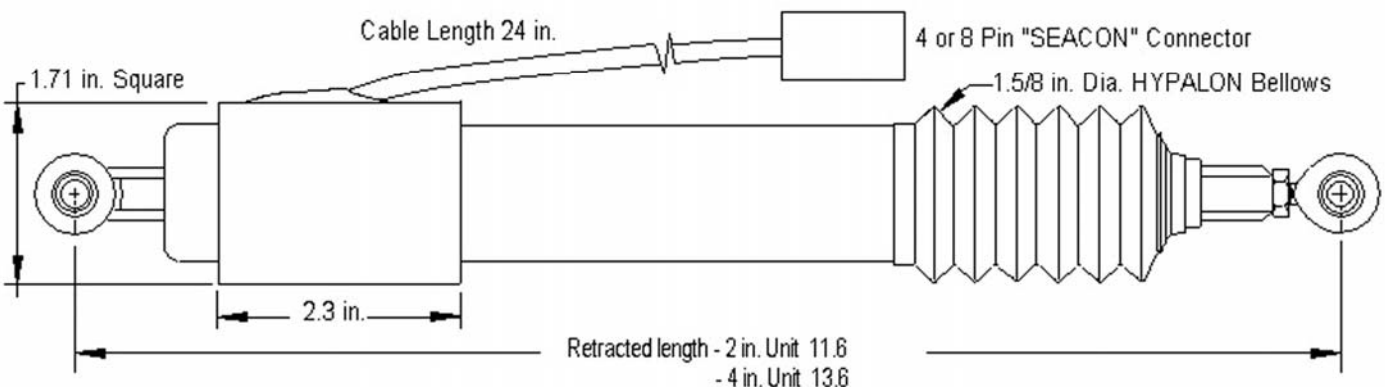


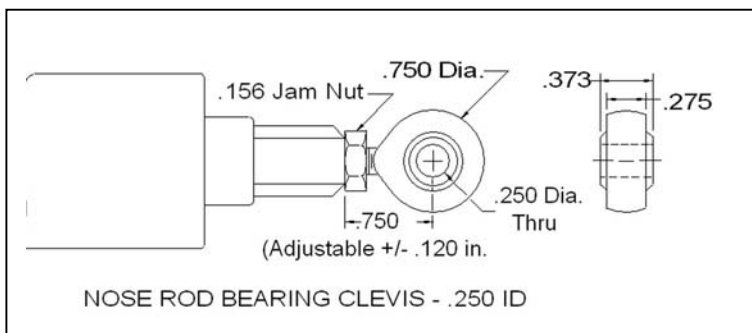
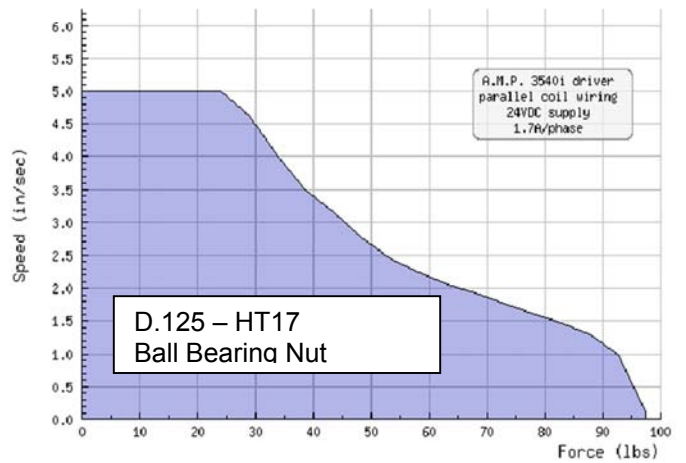
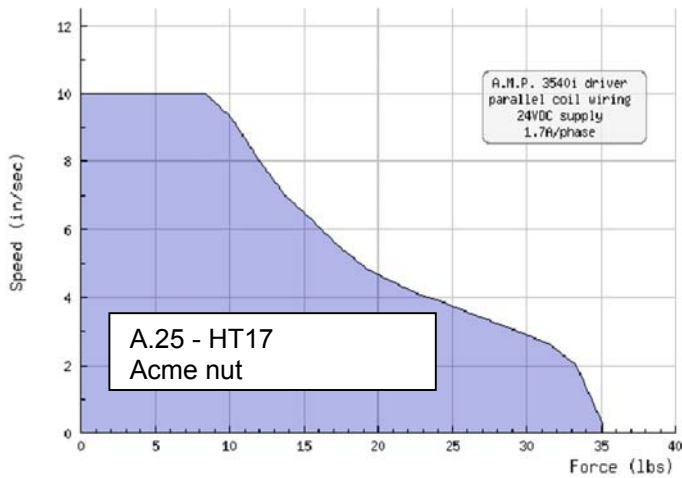
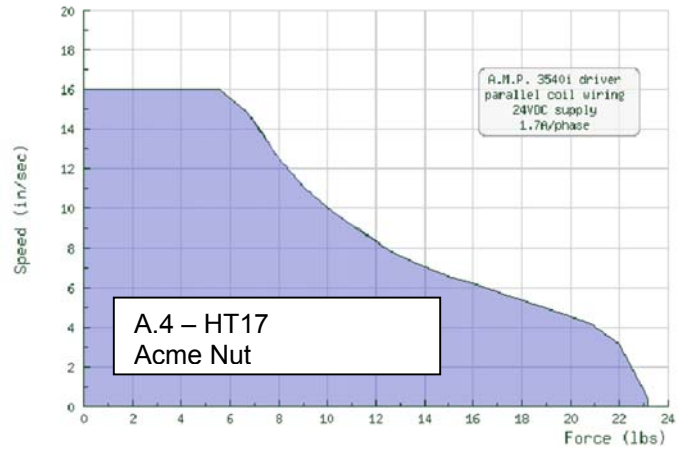


Underwater Linear Actuator goes to 20,000 Ft



The new Ultra Motion, LLC. Underwater Linear actuator, based on our DIGIT™ linear actuator, is filled with an inert, incompressible oil. The inside pressure is equalized to that of the outside by means of flexible bellows, which also seals the shaft. The materials in contact with the outside environment are the Hyperlon™ bellows, the stainless steel end fittings and the Polyolifin™ covering. The electrical connections are through a SEACON™ MicroWet™ connector with either 4 or 8 pins depending on whether an internal linear potentiometer is required for position feedback. The Ultra Motion Underwater Linear Actuator can operate at depths to 20,000 ft (6000 meters).





Ultra Motion, LLC.
225 East Side Ave.
Mattituck, NY 11952

Phone: 631-298-9179
Fax: 631-298-6593
E-Mail: info@ultramotion.com
<http://www.ultramotion.com>