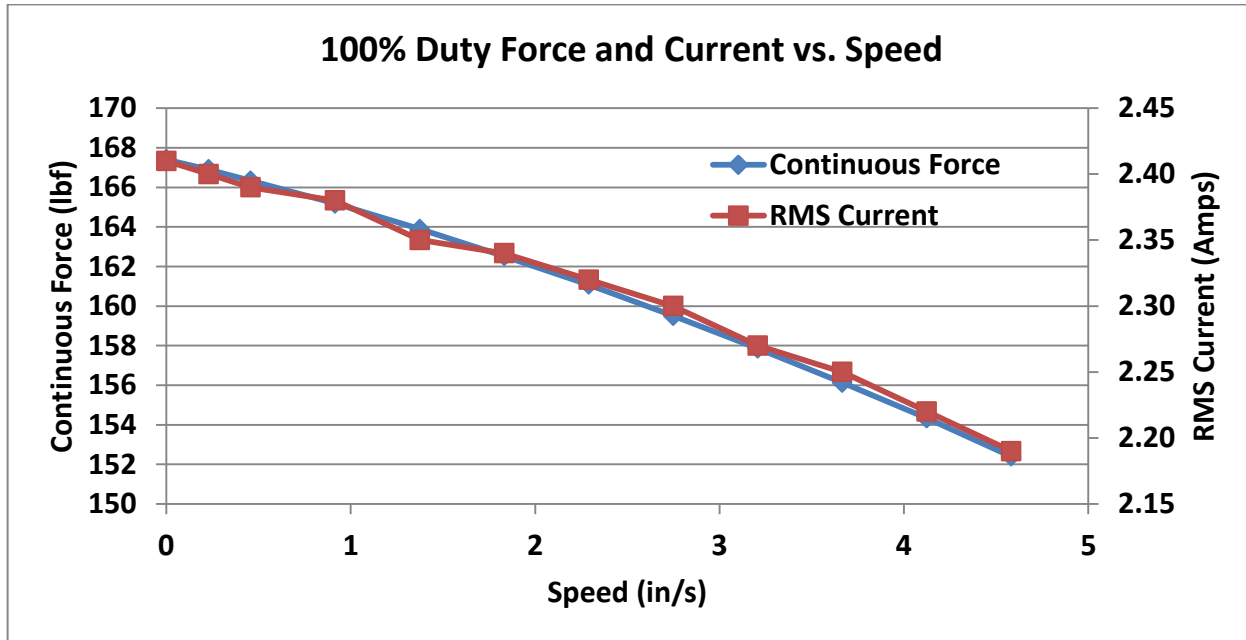


Product Description:

Ultra Motion Custom D2 Actuator with a precision ground, zero backlash metric ball screw, triplex angular contact bearings, 20,000 CPT commutating encoder, custom cable harnesses, and custom BLDC motor. Optimized for low torque ripple, low vibration, high accuracy, and short overall length.

Actuator speed/force graph (100% duty cycle):



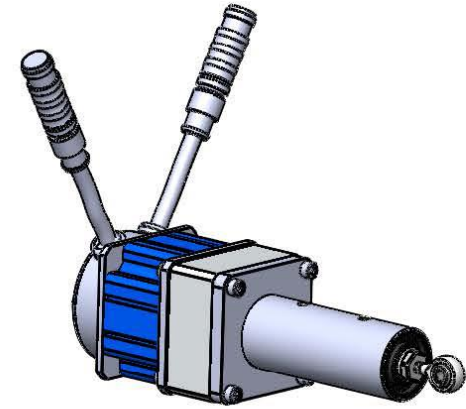
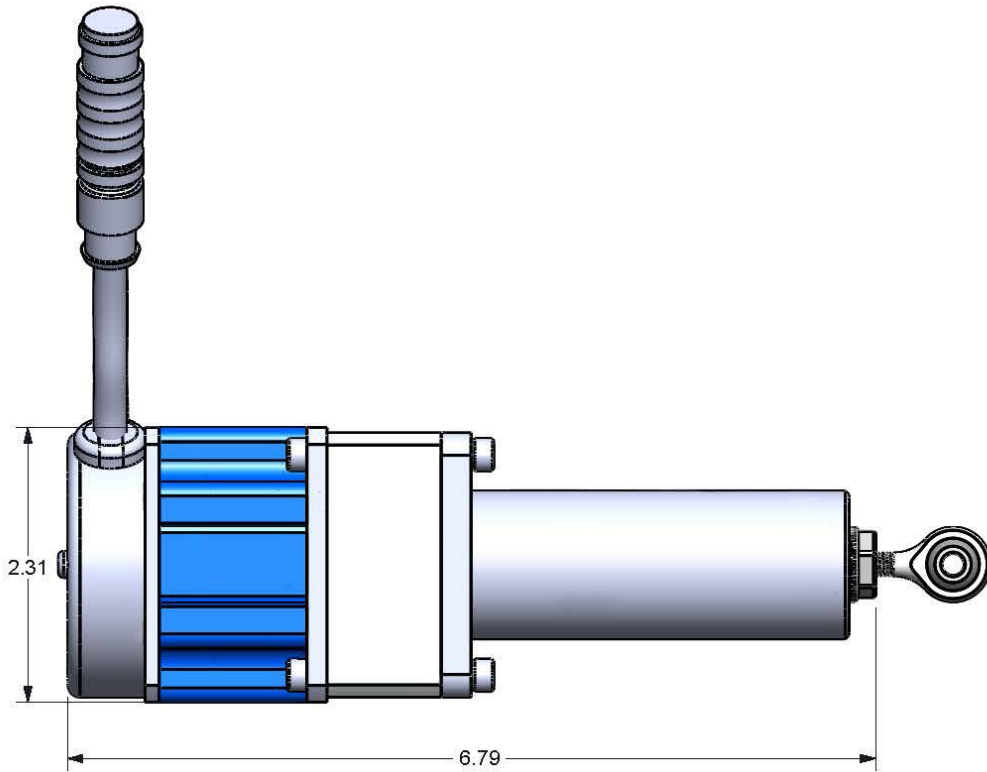
Product Specifications:

Stroke Length:	1 inch
Lead Screw:	Steel ball screw with recirculating ball bearing nut, 2 mm per revolution, 98% efficient
Rated Maximum No-Load Speed:	4.5 in/s
Rated Continuous Force:	160 lbf
Rated Peak Force:	500 lbf
Rated Life:	318 million mm of travel (10 years)
Accuracy:	30 µm/300 mm

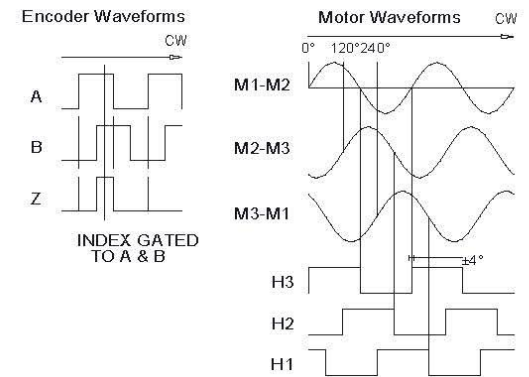
Feedback 1: A 20,000 CPT commutating encoder to provide 0.1 µm linear resolution and commutation signals to the controller.

PROPRIETARY DATA	8	7	6	5	4	3	2	1
------------------	---	---	---	---	---	---	---	---

All information contained in this document is property of Ultra Motion LLC and shall not be released, reproduced, disclosed, copied, or otherwise used in whole or in part, for any purpose other than to evaluate a product of Ultra Motion LLC. No rights are conveyed by the receipt of any other party to any intellectual property contained in this document in any manner. All necessary shall protect all information in this document as provided by USARS 202.227-7016. The information subject to this restriction is contained in every page of this document.



CLOCKWISE ROTATION, VIEWED FROM THE MOTOR SHAFT, RESULTS IN THESE WAVEFORMS.



TITLE		CUSTOM D2 ACTUATOR	
SIZE	DWG No.	REV	
B	105101-1	-	
DO NOT SCALE DRAWING. WORK FROM DIMENSIONS		SCALE: 1:4	SHEET 1 OF 1

ALL DIMENSIONS IN INCHES